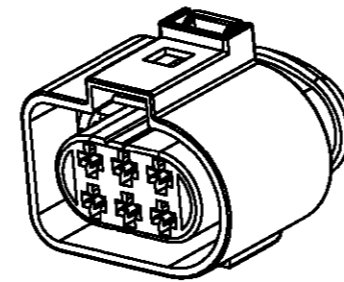
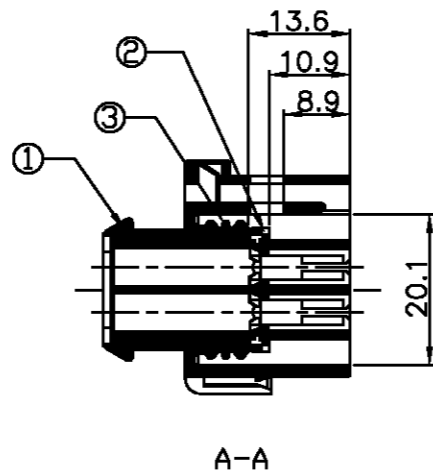
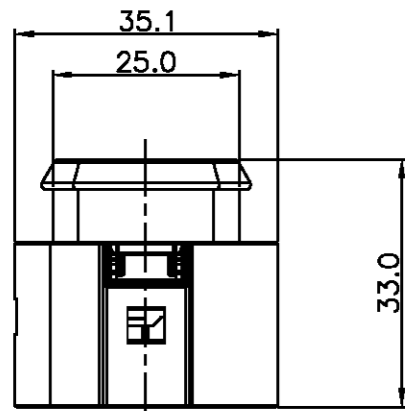


P	LTR	DESCRIPTION	DATE	DWN	APVD
	□	RELEASED(FC00-0009-02)	18/JAN/02	MS	CS
	A	RELEASED(FC00-0079-02)	23/MAY/02	MS	CS

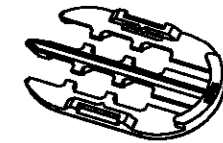


3D VIEW(SCALE 1:1)

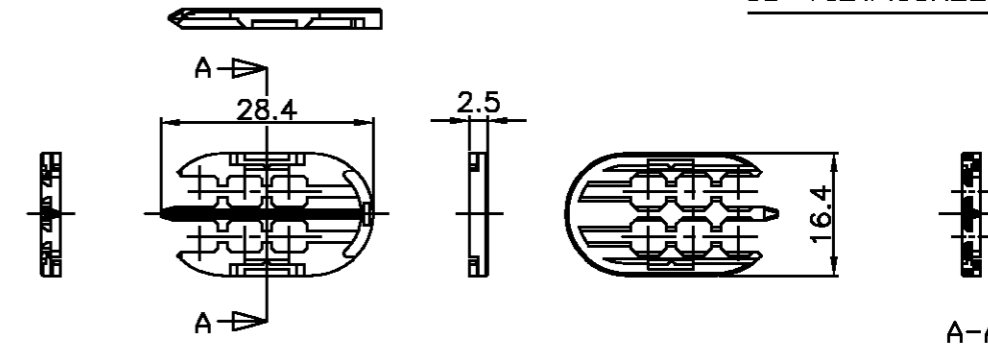
DBL PLATE HSG : P/N:936144-1

NOTE,

- 1) MATERIAL : PBT GF10
- COLOR : WHITE



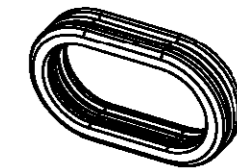
3D VIEW(SCALE 1:1)



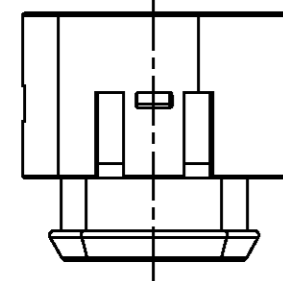
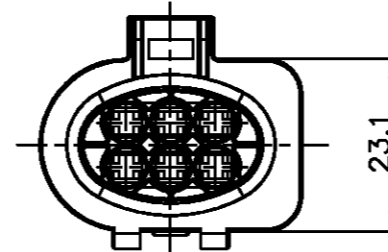
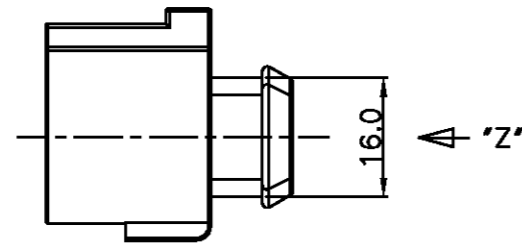
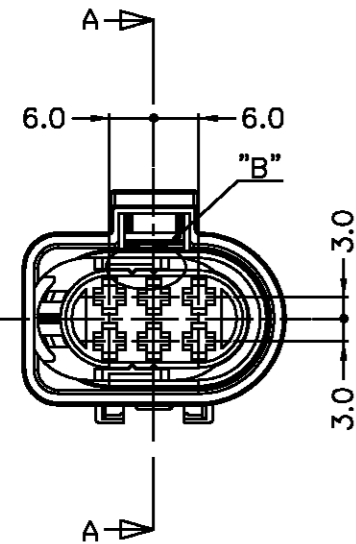
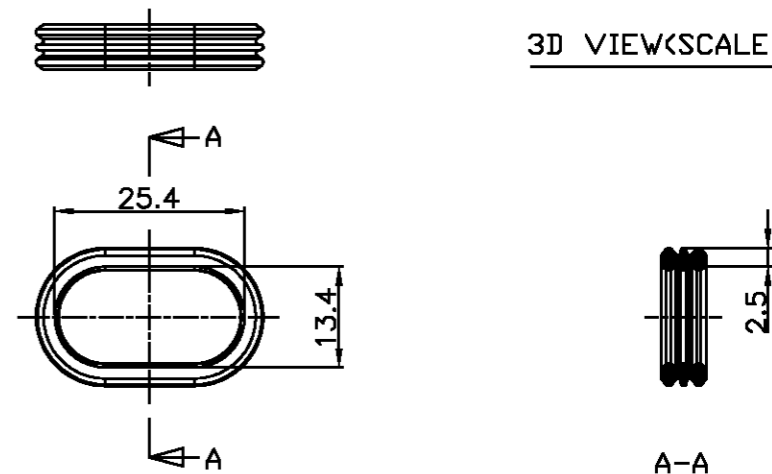
INNER SEAL : P/N:936803-1

NOTE,

- 1) MATERIAL : SILICON,
- COLOR : RED ORANGE(RAL 2001)



3D VIEW(SCALE 1:1)



NOTES

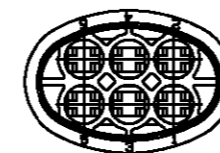
- 1. CONDITION OF DELIVERY : 1ST. LOCKING CONDITION WITH DBL PLATE OPEN POSITION.
- 2. APPLIED RECEPTACLE CONTACT P/N:

CONTACT	JPT
Part NO.	2-964286-1
WIRE SIZE(mm)	0.5 - 1.0
WIRE SEAL Part NO.	0-963294-1

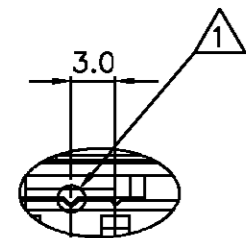
- 3. APPLIED CLIP HSG:

Part NO.	PANEL THICKNESS	PANEL HOLE SIZE
936362(A)	0.7~1.6mm	
85229(A)	0.7~1.6mm	
368373	0.5~4.0mm	

- 4. LOCATION OF CIRCUIT NO. : VIEW "Z"



VIEW "Z"



DETAIL "B" SCALE 2:1

THIS DRAWING IS A CONTROLLED DOCUMENT FOR AMP INCORPORATED. IT IS SUBJECT TO CHANGE AND THE CONTROLLING ENGINEERING ORGANIZATION SHOULD BE CONTACTED FOR THE LATEST REVISION.

DWN : MS HER

CHK : BM JANG

APVD : CS LEE

PRODUCT SPEC

APPLICATION SPEC

WEIGHT

DIMENSIONS: MM

TOLERANCES UNLESS OTHERWISE SPECIFIED:

- 0 <XX<10 ± 0.2
- 10 <XX<30 ± 0.25
- 30 <XX ± 0.3
- ANGLES ± 3°

3rd ANGLE PROJECTION

MATERIAL

SEE TABLE

FINISH

NO.	DESCRIPTION	P/N	MATERIAL	COLOR
3	INNER SEAL	936803-1	SILICON	RED ORANGE
2	DBL PLATE	936144-1	PBT GF10	WHITE
1	PLUG HSG	936143-1	PBT GF15	BLACK



AMP KOREA, kyungsan, korea

JPT 6Pos SEALED CONN'R ASS'Y FOR UEGO SENSOR

SIZE	CAGE CODE	DRAWING NO
A3	-----	C= 936142